

## LE202-1-M12

### Material

PPA - Polyphthalamide  
(PA hex nut)



**How it works** Movement of the magnetic float opens/closes a hermetically sealed contact (reed switch).

- Details**
- 200mm length;
  - On/Off SPST output;
  - Work as normally open or normally closed, by inverting float position;
  - M12 output connection.

- Typical applications**
- Tank liquid level control in 2 points;
  - Pumps automation;
  - Machine tools.



**Chemical products** require preliminary tests to confirm compatibility.  
**Liquid with ferrous particles** should be avoided.

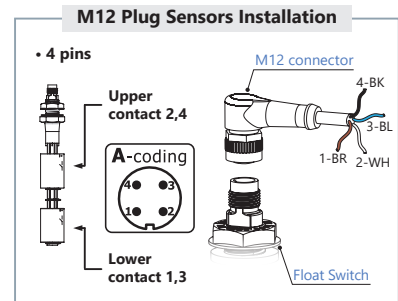
## Technical specifications

|                             |                                                                           |
|-----------------------------|---------------------------------------------------------------------------|
| Maximum operating pressure  | <b>2bar</b>                                                               |
| Operating temperature range | <b>-10°C to 90°C</b>                                                      |
| Liquid minimum density (SG) | <b>0.70</b>                                                               |
| Sealing                     | <b>NBR gasket</b>                                                         |
| Output connection           | <b>M12 male plug (4 pins)</b><br><b>M12 female connector NOT included</b> |
| Enclosure rating            | <b>IP66</b>                                                               |
| Electrical contact          | <b>Reed Switch 20W/VA</b>                                                 |

*The sensors work in all voltage and current ranges displayed in the table below:*

| Operating Voltage | Max. Switching Power | Max. Switching Current | Peak Current |
|-------------------|----------------------|------------------------|--------------|
| 110Vac            | 20VA                 | 0.2A                   | 0.5A @20ms   |
| 220Vac            | 20VA                 | 0.1A                   | 0.5A @20ms   |
| 5Vdc              | 2.5W                 | 0.5A                   | 1A @20ms     |
| 12Vdc             | 5W                   | 0.5A                   | 1A @20ms     |
| 24Vdc             | 10W                  | 0.5A                   | 1A @20ms     |

**24Vac:** NOT recommended



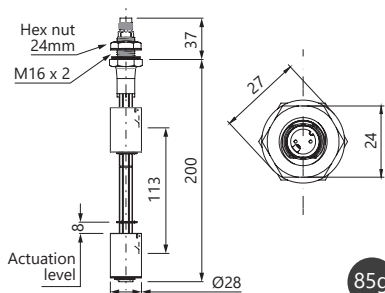
### Important!

- For cables longer than 20 meters.
- Relay coupler, timing relay, frequency inverter.

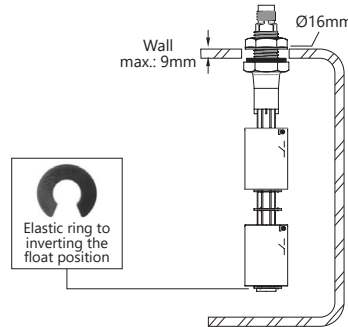
A series **resistor** must be installed.

[Click and check how to install.](#)

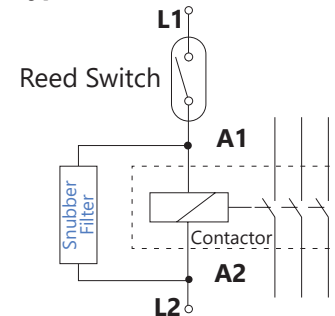
## Dimensions (mm) and Weight



## Mounting



## Typical connection to contactor



level sensor | level switch | float level | float switch | magnetic level switch | liquid level controller

[Click and Check:](#)  
[Models and Prices](#) | [Datasheets](#) | [Operation Videos](#)

Flow Switches and Level Switches for liquids