

FC34B02-M12



Material

PPA - Polyphthalamide



How it works A fluid flow through the sensor causes precise displacement of a magnetic piston and closes an electrical contact (reed switch).

- Details**
- On/Off output; NO (SPST) working;
 - Detects increased or decreased flow;
 - Sensitivity adjustment¹.



Actuation Range (in LPM)
Water
From ~2.1 to ~52

- Typical applications**
- Lubrication and cooling systems monitoring;
 - Pipe fluid flow monitoring.

- Liquids**
- Clean water, oils, lubricants and filtered fuels².



Liquids with magnetic particles will cause deposition/magnetic sedimentation and it will prejudice the operation of the sensor. Use magnetic filter before the sensor.

Liquids with encrustation particles and/or solids require tests.

Technical specifications

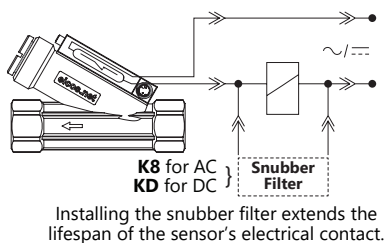
Internal clearance	266mm ²
Maximum operation pressure	25bar
Operating temperature range	0°C to 100°C 140°C @1h
Inlet/outlet port	G 3/4" female (BSP - Parallel)
Spring	AISI 302 stainless steel
Sealing	NBR (nitrilic rubber) O'Ring
Output connection	M12 male plug (2 pins)
	M12 female connector NOT included
Enclosure rating	IP66
Electrical contact	Reed Switch 20W/VA

The sensors work in all voltage and current ranges displayed in the table below:

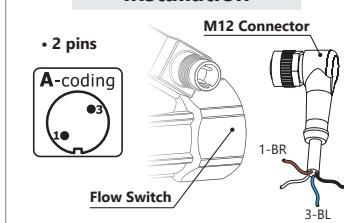
Operating Voltage	Max. Switching Power	Max. Switching Current	Peak Current
110Vac	20VA	0.2A	0.5A @20ms
220Vac	20VA	0.1A	0.5A @20ms
5Vdc	2.5W	0.5A	1A @20ms
12Vdc	5W	0.5A	1A @20ms
24Vdc	10W	0.5A	1A @20ms

24Vdc: Recommended use with Schneider coupling relay model RSLZVA1.

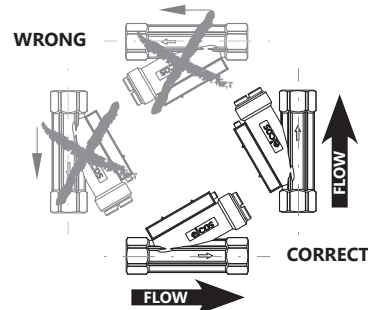
• Typical connection to contactor



M12 Plug Sensors Installation

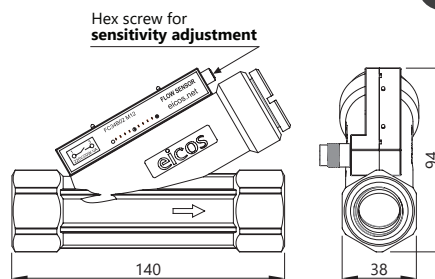


Mounting (Important!)



Dimensions (mm) and Weight

300g



Notes

¹ In water. Set point accuracy: ±15%.

Repeatability (not considering the viscosity change of liquids): ±10%.

² For application in oil, recommended model **FC34B04-M12**.