



Reed Switches are hermetically sealed contacts actuated by a magnetic field.

The life expectancy of a reed switch refers to a kind of load to be used. Reed Switches of the highest reliability are applied in our sensors, and their life expectancy can reach above two million operations. However when they are switching lamps, inductive or capacitive loads, this number may decrease.

Switching Power

It is important to consider that the power specified by an electrical load is often referred to the permanent working state.

Operating Voltage	Max. Switching Power	Max. Switching Current	Peak Current
110Vac	20VA	0.2A	0.5A @20ms
220Vac	20VA	0.1A	0.5A @20ms
5Vdc	2.5W	0.5A	1A @20ms
12Vdc	5W	0.5A	1A @20ms
24Vdc	10W	0.5A	1A @20ms
24Vac: NOT recommended			

For higher power, use an auxiliary relay or contactor as recommended below (power consumption table).

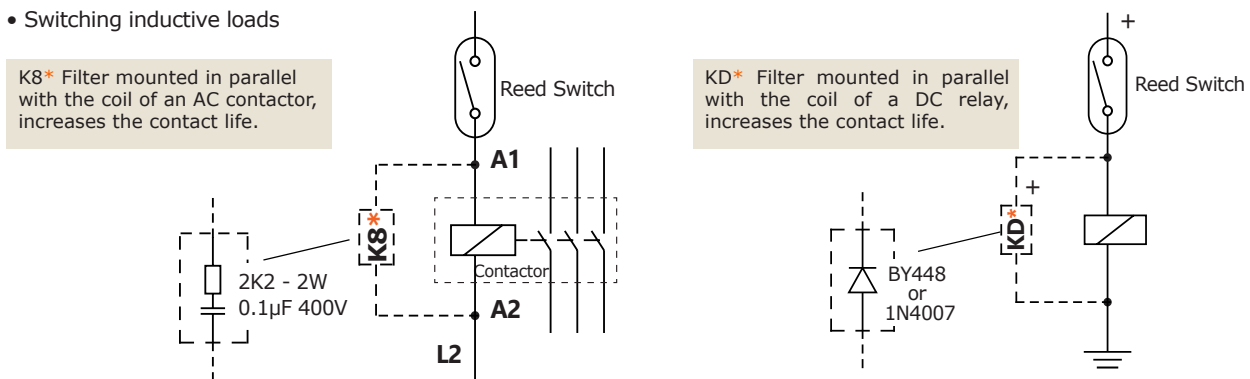
Siemens 3RT1015 Contactor	Weg CW07 Mini Contactor	Schneider CA2KN Contactor
Initial: 31.7VA	Initial: 19.3VA	Initial: 30VA
Rated: 5.1VA	Rated: 5.5VA	Rated: 4.5VA

Note: Reed Switches have reached over one million operations in tests with mini contactor and **K8*** snubber filter.

More models of contactors recommended accessories.icos.us

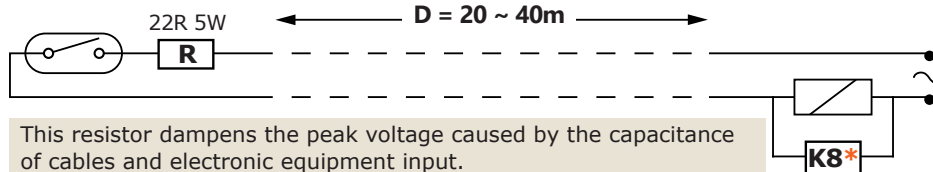
PROTECTION PROCEDURES BELOW DESCRIBED CAN IMPROVE THE REED SWITCH PERFORMANCE

- Switching inductive loads



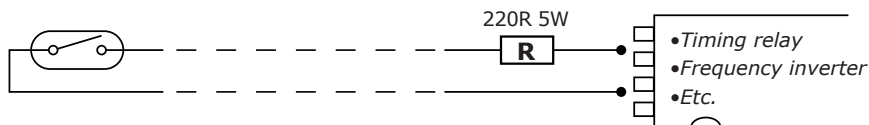
? Risk of failure (welding of the Reed Switch Contact) due to CAPACITANCE, which can occur depending on the distance and cable used in the connection to the contactor.

- Connecting the sensor to a contactor in long distances, use resistor:



! Important: For distances **greater than 40m**, use 24Vdc voltage.

- Connecting the sensor to an electronic equipment:



! Important: For installation with **relay coupler**, use 4K7 10W resistor.

+55 (15) **3032-9190**