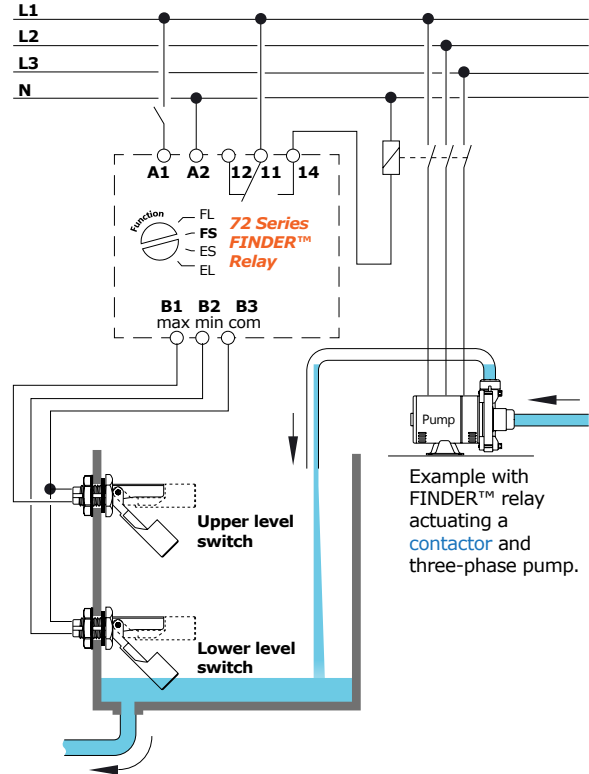


Automation of tanks and pumps using **Level Switches** and FINDER™ Relays.

Filling Function Mounting with 72 series FINDER™ level relay:

Two **ICOS Level Switches** are used in normally open position and the function key in "FS".

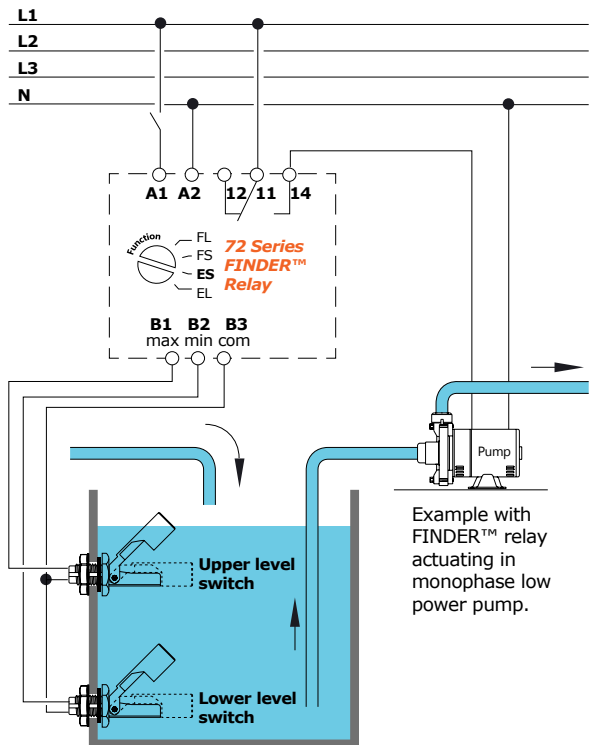
When the tank will be empty, the lower and upper **Level Switches** will be opened, turning the pump on. As soon as the level reaches the upper **Level Switch**, pump will turn off.



Emptying Function Mounting with 72 series FINDER™ level relay:

Two **ICOS Level Switches** are used in normally closed position and the function key in "ES".

When the tank will be full, the lower and upper **Level Switches** will be opened, turning the pump on. As soon as the level reaches the lower **Level Switch**, pump will turn off.



Useful Links:

- » [Automatic Tank Level Control for Long Distance](#)
- » [How it Works: Level Switches](#)
- » [Increase the life of your Sensor](#)