

## LB26M-40

### Material

PP - Polypropylene  
(PA hex nut)



**How it works** Movement of the magnetic float opens/closes a hermetically sealed contact ([reed switch](#)).

- Details**
- Compact and low cost;
  - On/Off SPST output;
  - Operation can be normally closed.

- Typical applications**
- Tank liquid level control;
  - Pumps automation.



**Chemical products** require preliminary tests to confirm compatibility.

**Liquid with ferrous particles** should be avoided.

*Not suitable for fuel.*

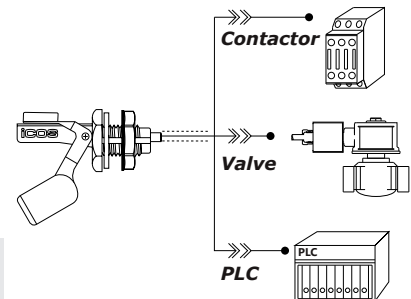
### Technical specifications

Operating temperature range	<b>-10°C to 100°C</b>
Liquid minimum density (SG)	<b>0.64</b>
Sealing	<b>NBR gasket</b>
Output connection	<b>Wire 2 x 0.5mm<sup>2</sup> x 40cm</b>
Enclosure rating	<b>IP66</b>
Electrical contact	<b>Reed Switch 20W/VA</b>

**The sensors work in all voltage and current ranges displayed in the table below:**

Operating Voltage	Max. Switching Power	Max. Switching Current	Peak Current
110Vac	20VA	0.2A	0.5A @20ms
220Vac	20VA	0.1A	0.5A @20ms
5Vdc	2.5W	0.5A	1A @20ms
12Vdc	5W	0.5A	1A @20ms
24Vdc	10W	0.5A	1A @20ms

**24Vac:** NOT recommended

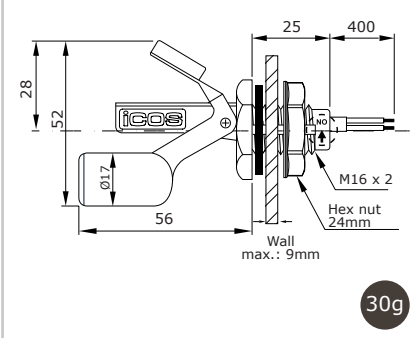


### Important!

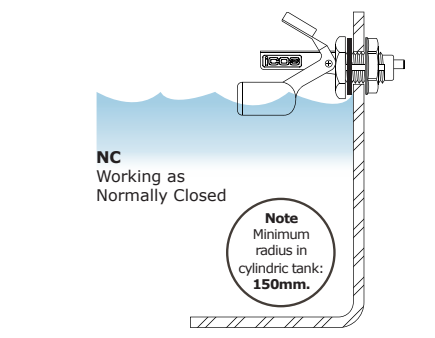
- For cables longer than 20 meters.
- Relay coupler, timing relay, frequency inverter.

A series **resistor** must be installed.  
[Click and check how to install.](#)

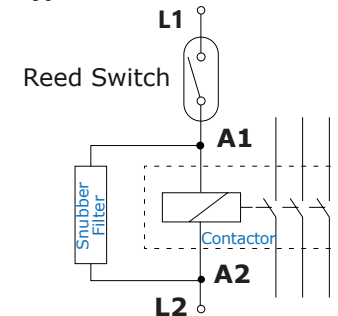
### Dimensions (mm) and Weight



### Mounting on surface



### Typical connection to contactor



level sensor | level switch | float level | float switch | magnetic level switch | liquid level controller

[Click and Check:](#)

[Models and Prices](#) | [Datasheets](#) | [Operation Videos](#)

Flow Switches and Level Switches for liquids

Make it easy