

LE252-1-M12

Material

 PPA - Polyphthalamide
 (PA hex nut)


How it works Movement of the magnetic float opens/closes a hermetically sealed contact ([reed switch](#)).

- Details**
- 250mm length;
 - On/Off SPST output;
 - Work as normally open or normally closed, by inverting float position;
 - M12 output connection.

- Typical applications**
- Tank liquid level control in 2 points;
 - Pumps automation;
 - Machine tools.



Chemical products require preliminary tests to confirm compatibility.

Liquid with ferrous particles should be avoided.

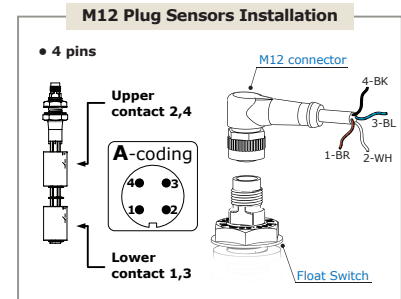
Technical specifications

| | |
|-----------------------------|---|
| Maximum operating pressure | 2bar |
| Operating temperature range | -10°C to 90°C |
| Liquid minimum density (SG) | 0.70 |
| Sealing | NBR gasket |
| Output connection | M12 male plug (4 pins) M12 female connector NOT included |
| Enclosure rating | IP66 |
| Electrical contact | Reed Switch 20W/VA |

The sensors work in all voltage and current ranges displayed in the table below:

| Operating Voltage | Max. Switching Power | Max. Switching Current | Peak Current |
|-------------------|----------------------|------------------------|--------------|
| 110Vac | 20VA | 0.2A | 0.5A @20ms |
| 220Vac | 20VA | 0.1A | 0.5A @20ms |
| 5Vdc | 2.5W | 0.5A | 1A @20ms |
| 12Vdc | 5W | 0.5A | 1A @20ms |
| 24Vdc | 10W | 0.5A | 1A @20ms |

24Vac: NOT recommended

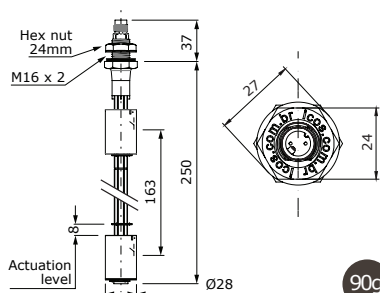


Important!

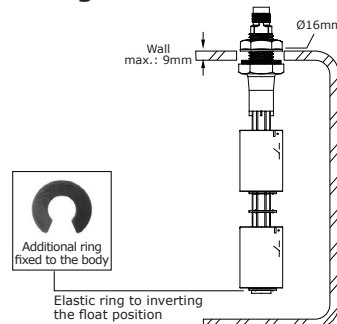
- For cables longer than 20 meters.
- Relay coupler, timing relay, frequency inverter.

A series **resistor** must be installed.
[Click and check how to install.](#)

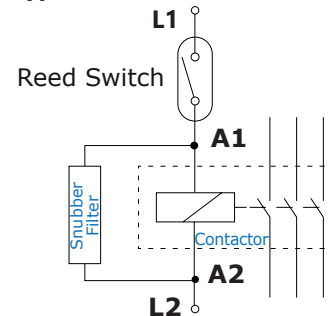
Dimensions (mm) and Weight



Mounting



Typical connection to contactor



level sensor | level switch | float level | float switch | magnetic level switch | liquid level controller

 [Click and Check:](#)

[Models and Prices](#) | [Datasheets](#) | [Operation Videos](#)

Flow Switches and Level Switches for liquids

Make it easy