

Weg CW07 Auxiliary Contactor 110V / 220V



Details • For electrical installation of ICOS [Level Switches](#) and [Flow Switches](#).

Typical applications • Automation in general.

Auxiliary Contactor 110V

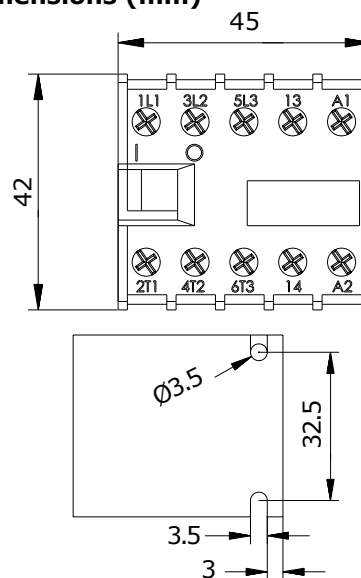
Number of contacts	04 Contacts NO
Voltage	110Vac
Current	7A
Power	1.5KW / 2HP
Initial power	19.3VA
Rated power	5.5VA
Weight	130g

Auxiliary Contactor 220V

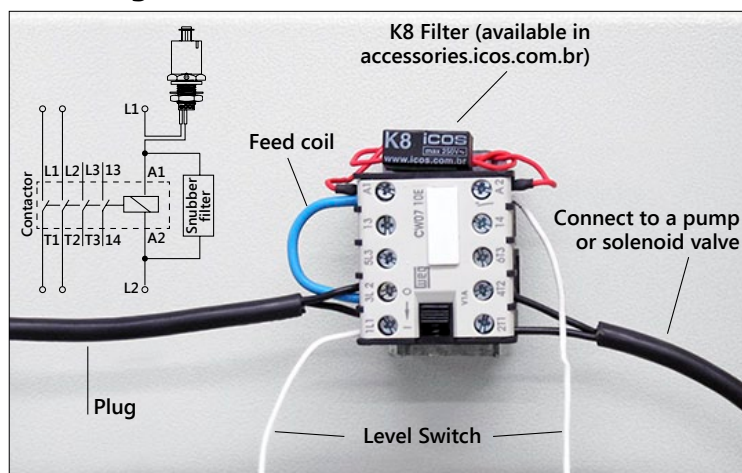
Number of contacts	04 Contacts NO
Voltage	220Vac
Current	7A
Power	1.5KW / 2HP
Initial power	19.3VA
Rated power	5.5VA
Weight	130g



Dimensions (mm)



Mounting



More examples of [Contactor](#) installations on en.icos.com.br

Important! Installing the Sensor in:

- For cables longer than 10 meters.
- PLC, timing relay, frequency inverter.

A series **resistor** must be installed.
[Click and check how to install.](#)