

## M12 Male Connector with 4 Contacts



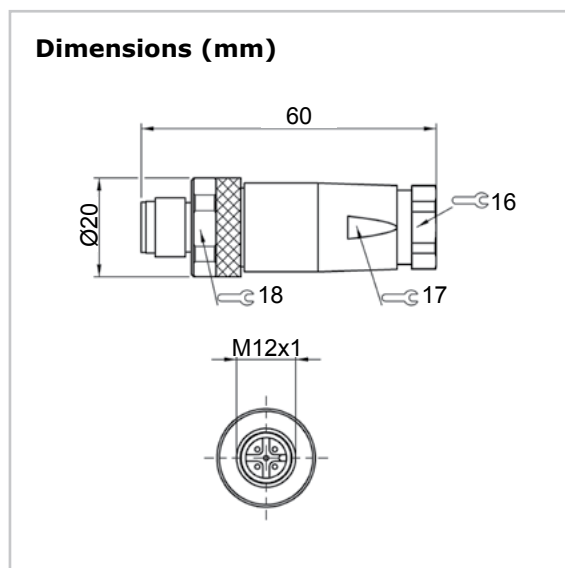
**Details** • Practical connection to the M12 plugs<sup>1</sup>.

**Typical applications** • For connections in your process with [M12 female plugs of 4 contacts](#).

### Technical specifications

Material	<b>PA</b>
Connectors	<b>04 contacts (male)</b>
Mounting	<b>Straight</b>
Cable diameter*	<b>4-6mm</b>
Voltage	<b>250V</b>
Operating temperature range	<b>-25°C to 85°C</b>
Enclosure rating	<b>IP67</b>
Weight	<b>25g</b>

\*Cable not included.



### Mounting



**Attention!**  
Connect the [M12 Male Connector](#) in your process.

### Notes

<sup>1</sup> For use in [ICOS Level Switches](#), check [M12 Female Connectors](#).