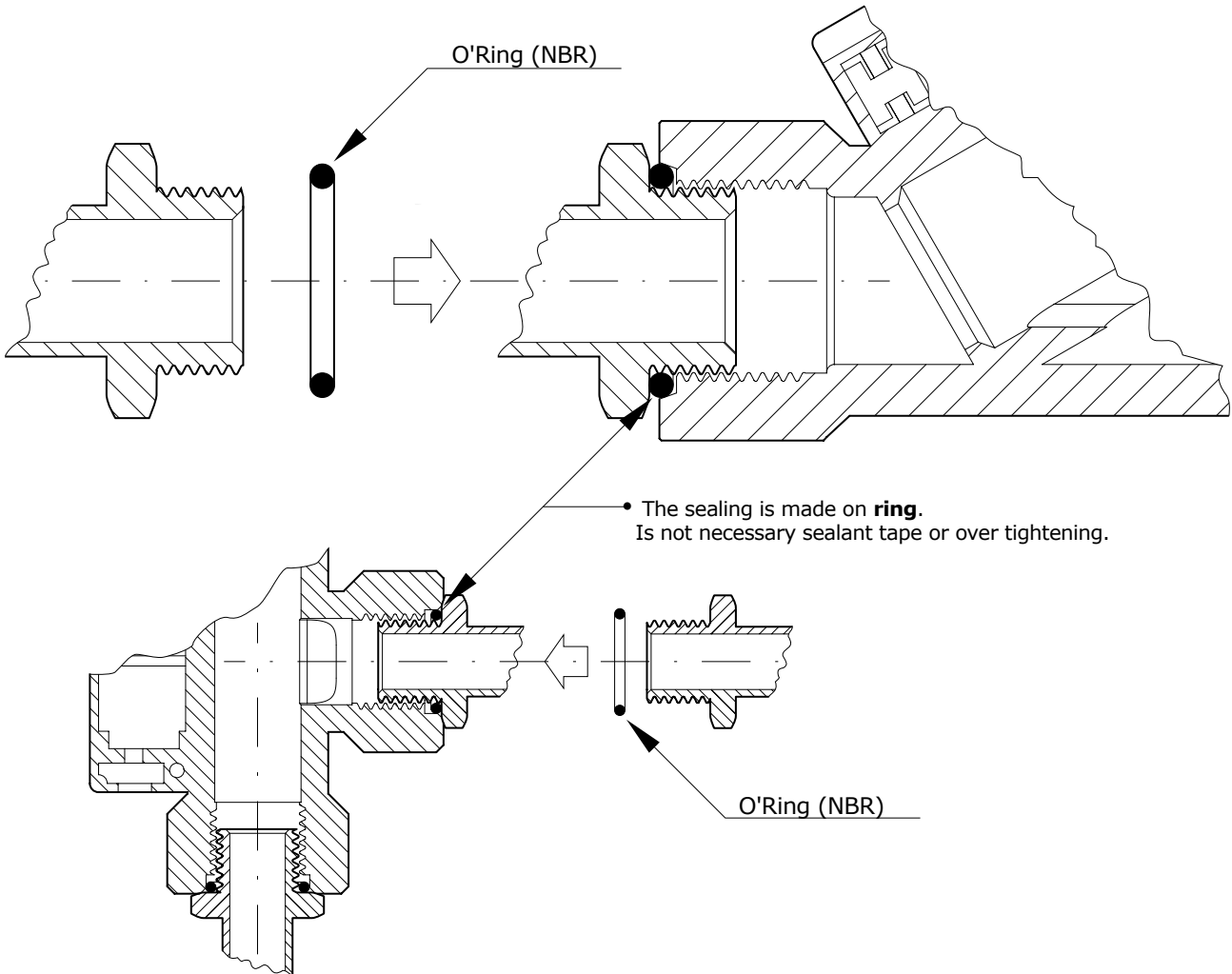


Mounting: male GAS thread into female GAS thread

Connection

1/8"	1/4"	1/2"	3/4"	1"	1 1/2"	2"
------	------	------	------	----	--------	----



Mounting: male NPT thread into female GAS thread

Connection

1/2"	3/4"
------	------

- For sealing, **to tighten** with sealant tape.

Useful Links:

- » [Flow Switch's Catalogue](#)
- » [Flow Switches Selection Guide](#)
- » [How it Works: Flow Switches](#)

